

APPLICATION:

PRODUCT NAME:
GLASS FILLER WITH 3/8" CLOSE NIPPLE

JOB NAME:

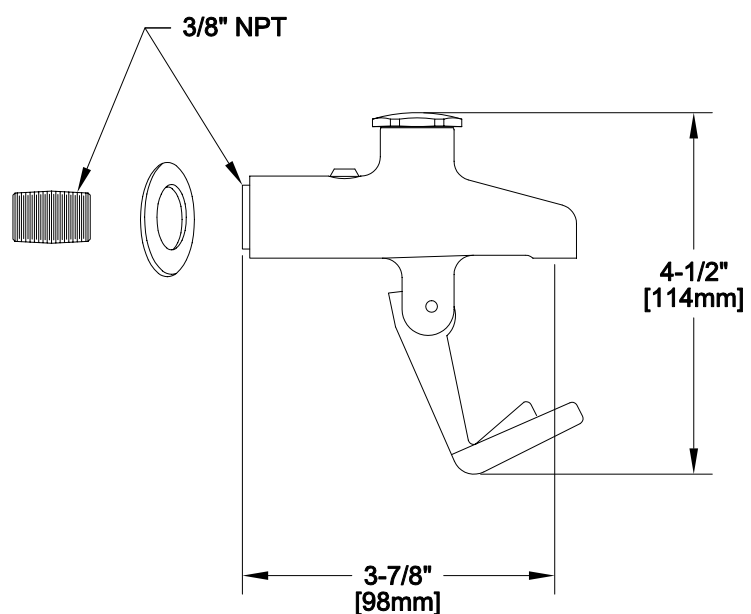
SPECIAL CONFIGURATION
 CHECK BASE MODEL AND OPTIONS

QUANTITY:

ITEM NO.

MODEL:
 10200

OPTIONS OR MODIFICATIONS:
 OTHER _____



FEATURES

- * STAINLESS STEEL HEAD
- * MEETS NSF 61/SEC.9**
- * TAMPER PROOF VOLUME CONTROL
- * HANDLES BOTH PAPER & GLASS CUPS
- * NON-MARRING DELRIN PRONG
- * STAINLESS STEEL SEAT SCREWS
- * STAINLESS STEEL STREAM STRAINER
- * FITS FISHER AND T&S PEDESTAL GLASS FILLER

- ** TESTED UNDER NSF-CSA ALLIANCE PROGRAM

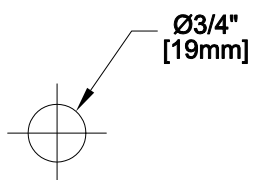
SYSTEM LIMITS

- * TEMP: 40°F MIN. TO 140°F MAX.
- * PRESSURE: 100 PSI MAX. STATIC
- * 2.2 GPM AT 80 PSI

SHIPPING WEIGHT

- * 1.0 LBS

ROUGH-IN:



FISHER MANUFACTURING COMPANY
TOLL FREE: 800-421-6162 - FAX: 800-832-8238
information@fisher-mfg.com - www.fisher-mfg.com